

# INSTALLATION SCHEME

1



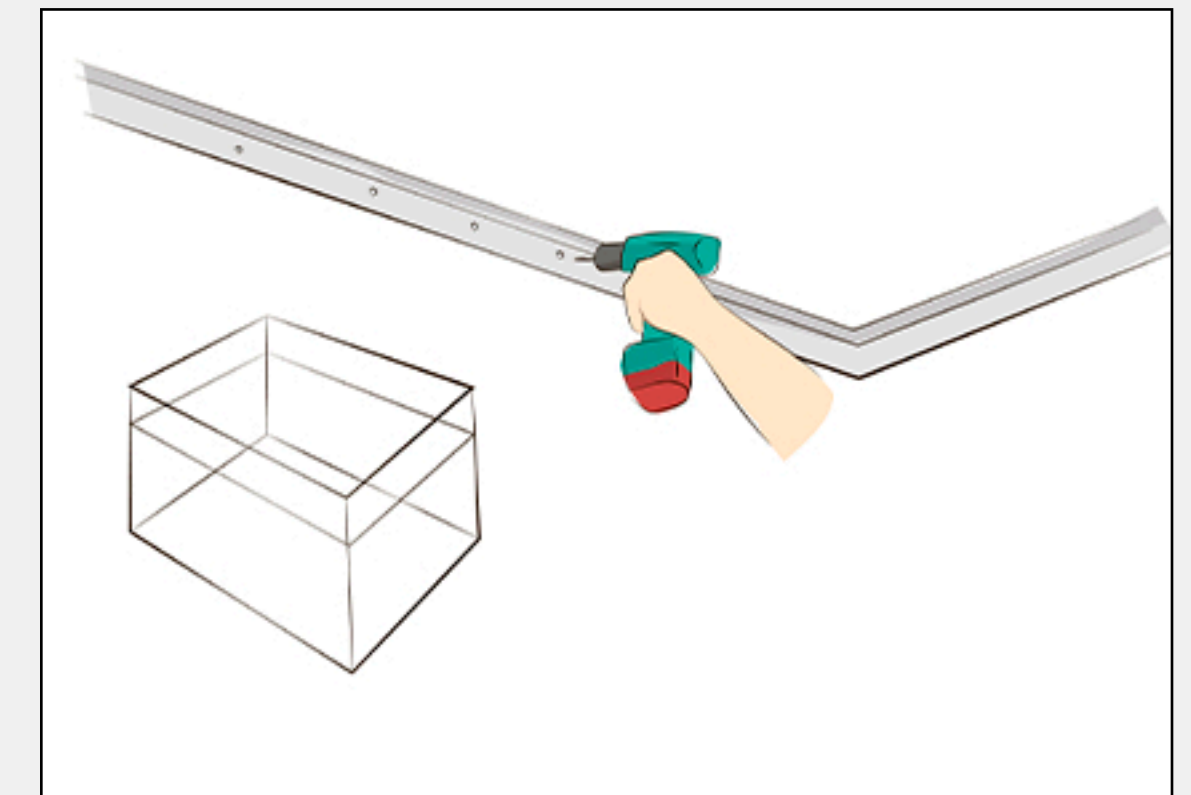
Preparing the room for installation:  
Cover walls and floors with protective material

2



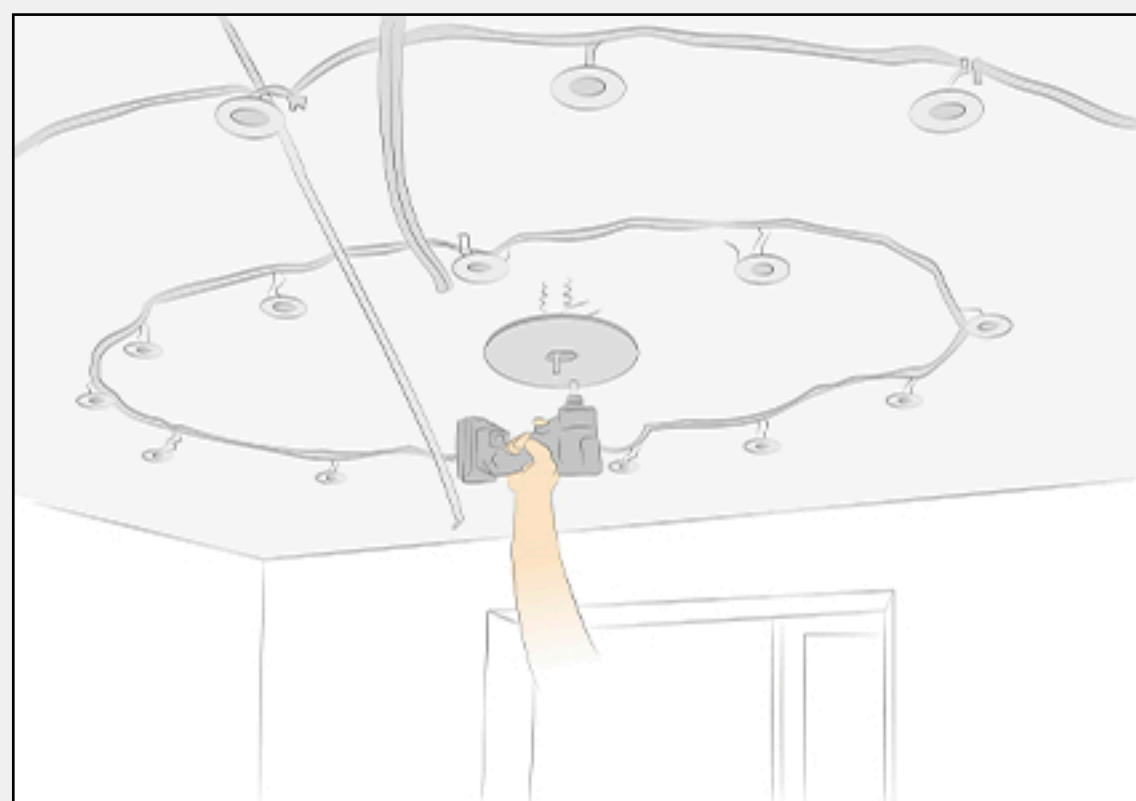
Setting the level  
(at least 4 cm from the bottom of the room)

3



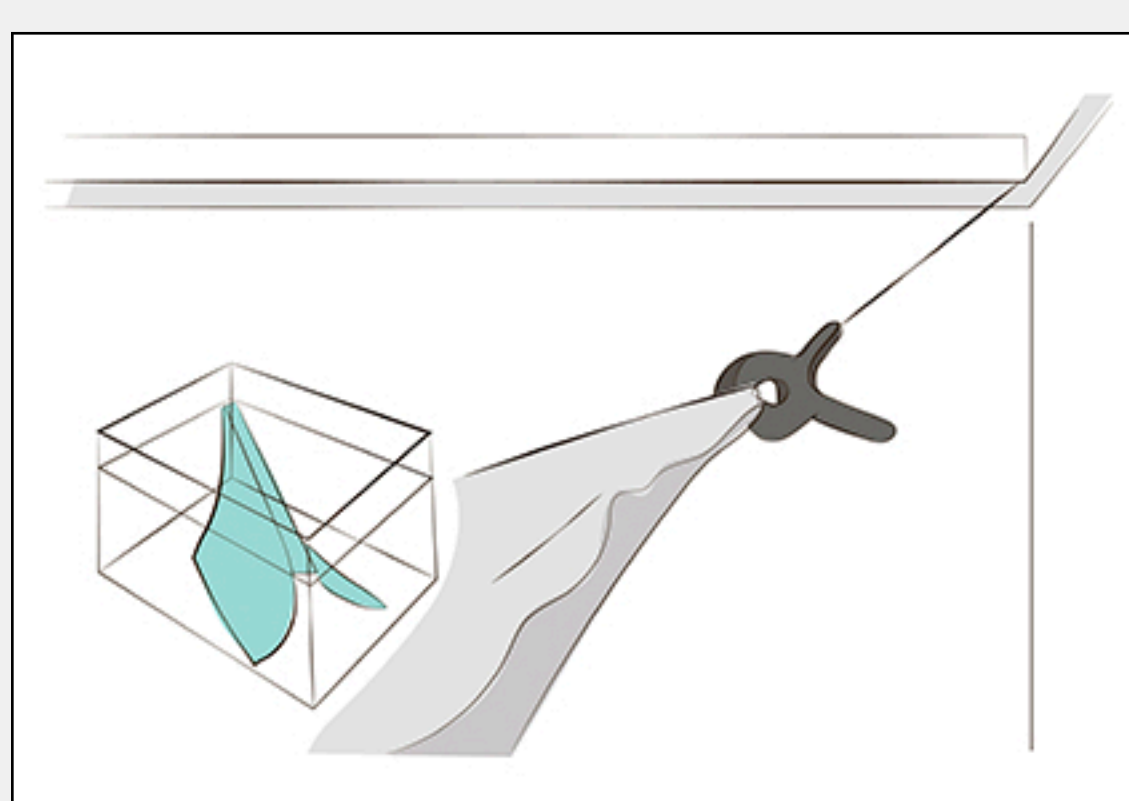
Installation of profile systems  
and processing of joints, corners and junctions

4



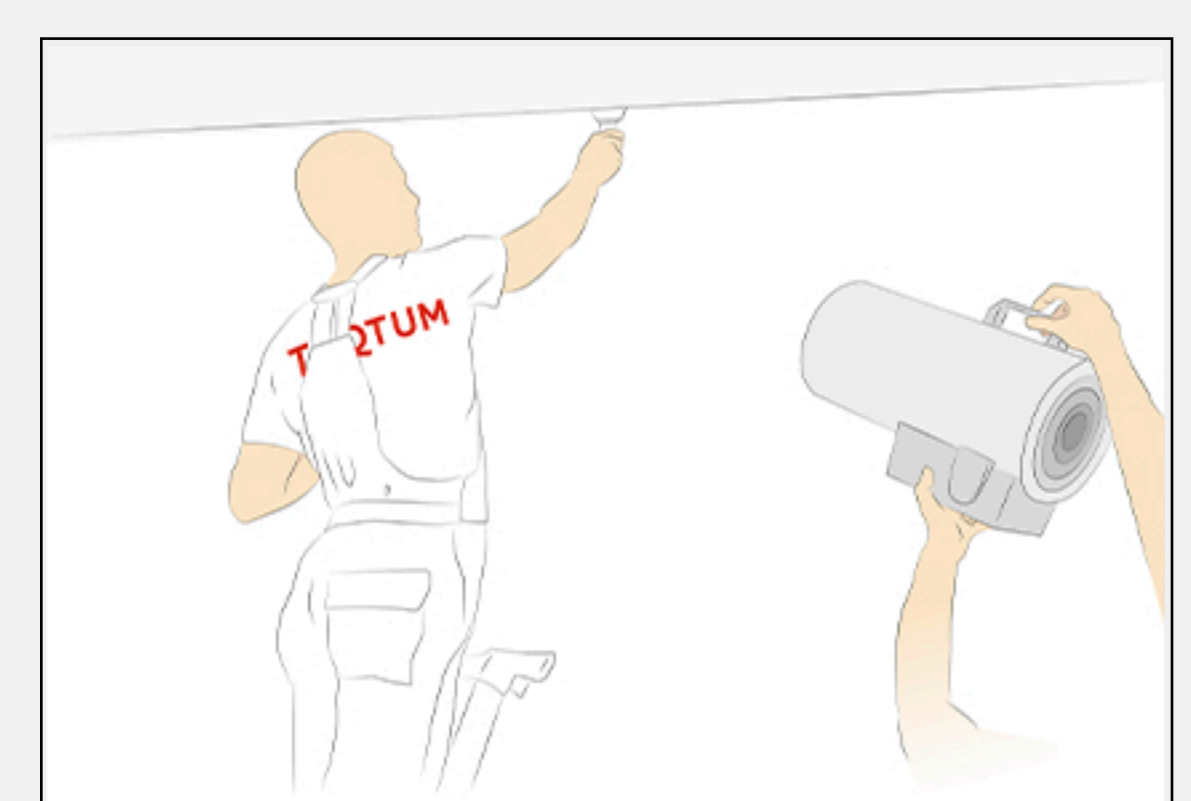
Installation of embedded platforms  
for chandeliers and lamps with cable laying  
(one of the most important steps, because the wiring  
and connection should be done according to the rules!)

5



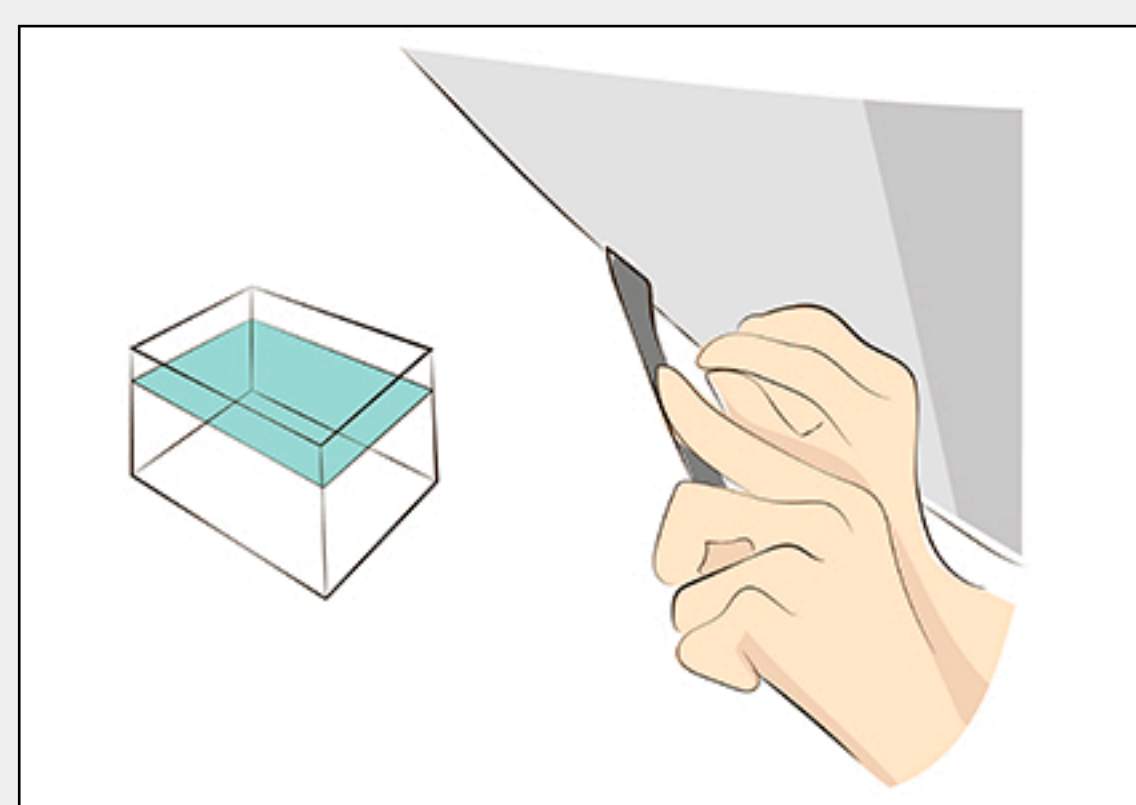
The canvas cut to size is unfolded indoors  
and fixed first in the corners of the room

6



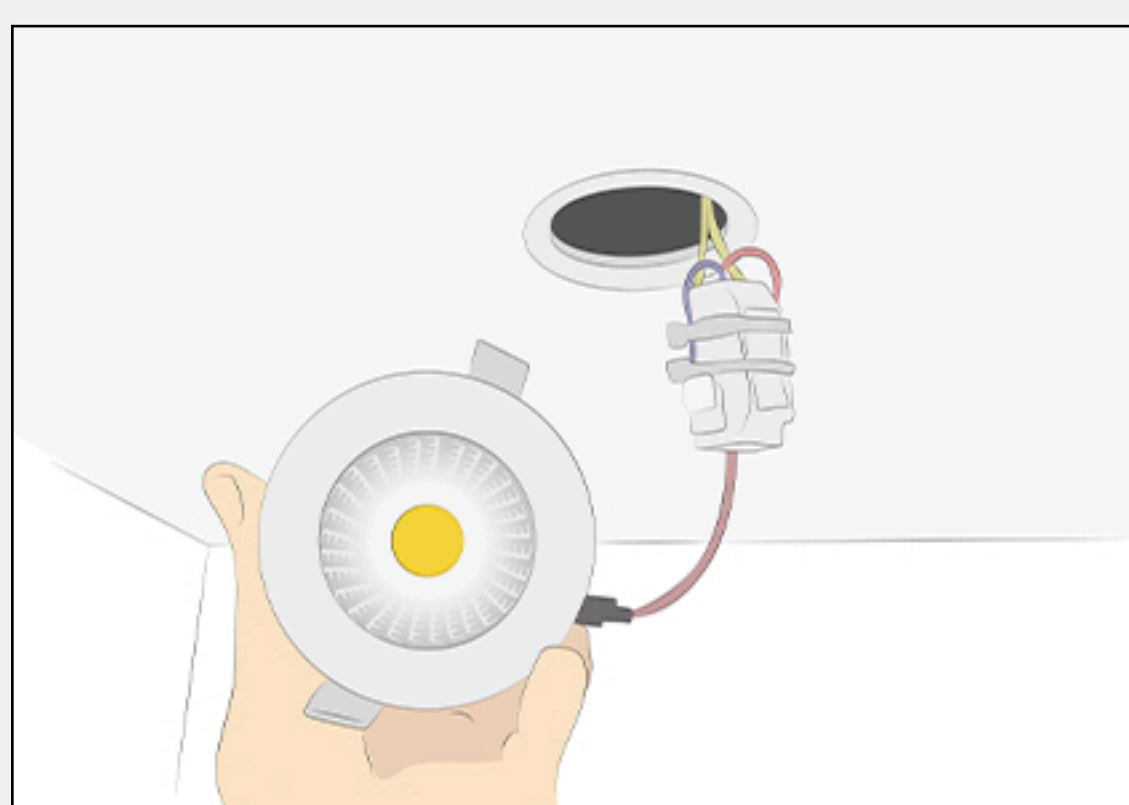
The suspended sheet is heated by heat  
cannon - heat causes the film to become  
soft and malleable

7



After heating, the film is stretched  
and fixed by the fasteners.

8



Thermal sticker are glued onto the stretched  
canvas and lighting fixtures are installed.

9



Cleaning walls and floors from the  
protective material

Enjoying the finished product